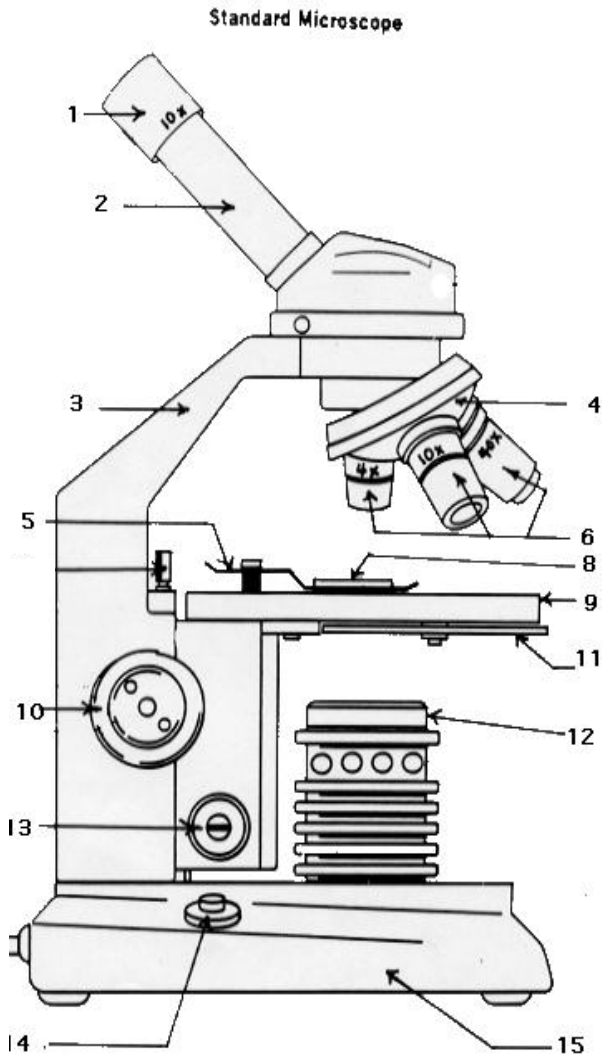


Name _____ Grade 11 Biology

COMPOUND LIGHT MICROSCOPE PART IDENTIFICATION



1. _____
2. _____
3. _____
4. _____
5. _____
6. _____
7. _____
8. _____
9. _____
10. _____
11. _____
12. _____
13. _____
14. _____

1. Eyepiece:
2. Arm:
3. Stage:
4. Aperture (Stage Opening):
5. Fine adjustment knob:
6. Coarse adjustment knob:
7. Base:
8. Light source (Illuminator):
9. Diaphragm:
10. Stage Clips:
11. Low power objective:
12. High power objective:
13. Nosepiece:
14. Body Tube: